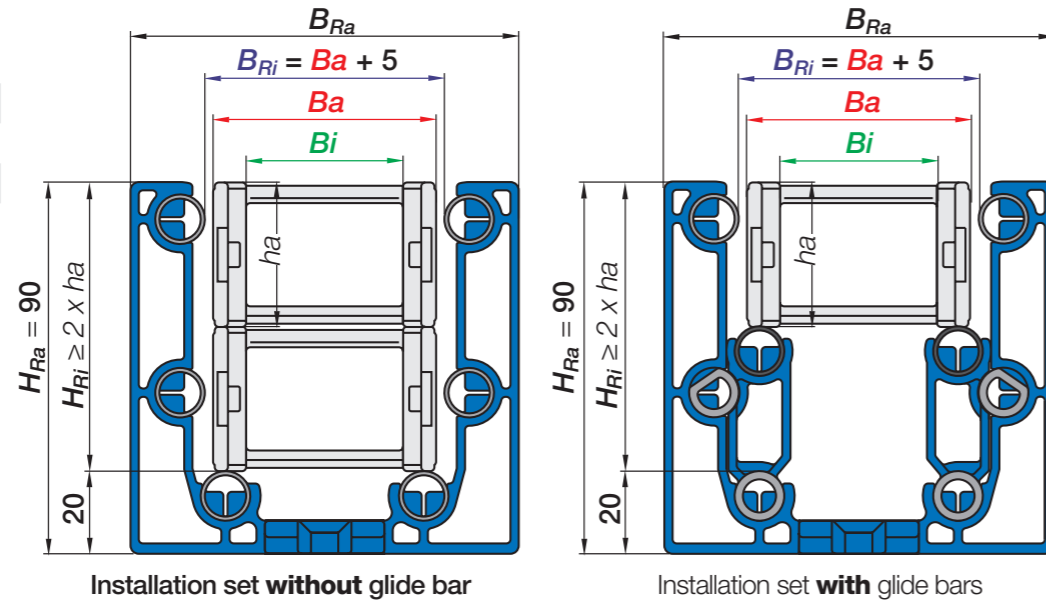


For the following igus® series

- E2.1**
- E2.26
- E2/000**
- 2500
  - 255

For 1m trough without glide bars  
6 tubes 1m long are required.  
For 1m trough with glide bars 4  
tubes 1m long are required.



**Installation dimensions**

XXX	Bi	Ba	B <sub>Ra</sub>	B <sub>Ri</sub>
02*	25	41	81	45
03	38	54	94	58
05	57	73	113	77
07	77	93	133	97
09	89	105	145	109
10	103	119	159	123
12	125	141	181	145

\*Spacer plate upon request  
XXX = Width index

**Tubular trough | Components**

Individual parts	Part No.	Weight
Installation set <b>without</b> glide bars	92.70.XXX	≈ 0.15kg
Installation set <b>with</b> glide bars	92.71.XXX	≈ 0.12kg
Installation set junction	92.74.XXX	
Fastening set	92.77.2	
Tubular steel, diameter ø 12 x 1 galvanised	92.80	≈ 0.28kg
(L = 985) for clearance Installation set 1m)		

Please add the width index XXX. Example: 92.71.05

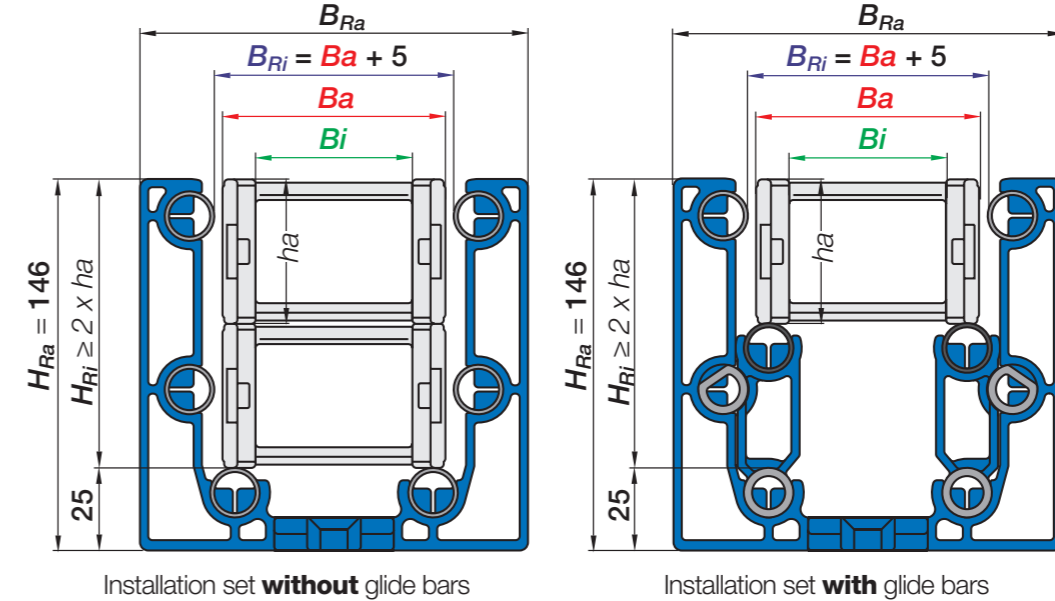
Order example: e-chain® inner width 57mm.  
For 8m trough the following parts are required:

Area <b>with</b> glide bar:	4 x installation set + tube: 4 x 4 piece	92.71.050 92.80
Area <b>without</b> glide bar	4 x installation set + Tube: 4 x 6 piece	92.70.050 92.80
Transition from area <b>without</b> glide bar to area <b>with</b> glide bar	1 x installation set junction	92.74.05

For the following igus® series

- E2.1**
- E2.48
- E2/000**
- 3500

For 1m trough without glide bars  
6 tubes 1m long are required.  
For 1m trough with glide bars 4  
tubes 1m long are required.



**Tubular trough | Components**

Individual parts	Part No.	Weight
Installation set <b>without</b> glide bars	93.70.XXX	≈ 0.25kg
Installation set <b>with</b> glide bars	93.71.XXX	≈ 0.20kg
Installation set junction	93.74.XXX	
Fastening set	92.77.2	
Tubular steel, diameter ø 15 x 1 galvanised	93.80	≈ 0.50kg
(L = 985) for clearance Installation set 1m)		

Please add the width index XXX. Example: 93.71.050

Order example: e-chain® inner width 50mm.  
For 8m trough the following parts are required:

Area <b>with</b> glide bar:	4 x installation set + tube: 4 x 4 piece	93.71.050 93.80
Area <b>without</b> glide bar	4 x installation set + Tube: 4 x 6 piece	93.70.050 93.80
Transition from area <b>without</b> glide bar to area <b>with</b> glide bar	1 x installation set junction	93.74.050

**Installation dimensions**

XXX	Bi	Ba	B <sub>Ra</sub>	B <sub>Ri</sub>
050	50	70	130	75
075	75	95	155	100
100	100	120	180	125
115	115	135	195	140
125	125	145	205	150
150	150	170	230	175
175	175	195	255	200
200	200	220	280	225
225	225	245	305	250
250	250	270	330	275

XXX = Width index